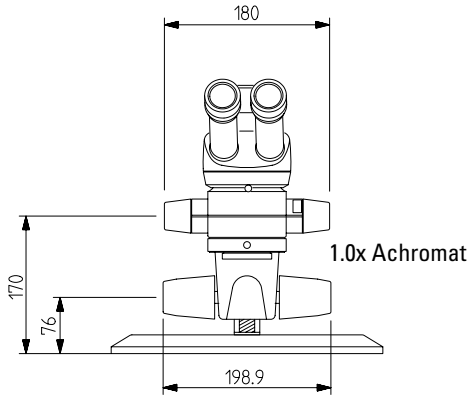


# Dimensions of Leica MS5

## with incident-light stand



## with transmitted-light stand

