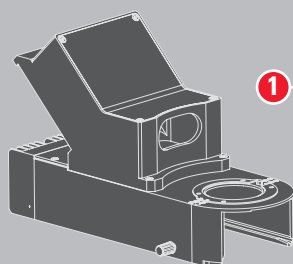


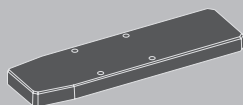
ASSEMBLY INSTRUCTIONS FOR LEICA DVM6 INTERFACE MODULE

This guide does not replace the complete manual provided on the CD.

INCLUDED COMPONENTS:



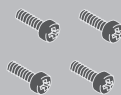
- 1** 10450707 interface module
to mount DVM6 to focus column



- 2** DVM6 focus column adapter
required to align DVM6 optical axis to Leica
TL5000 Ergo base



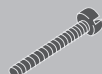
- 3** USB cable
to connect interface module to PC



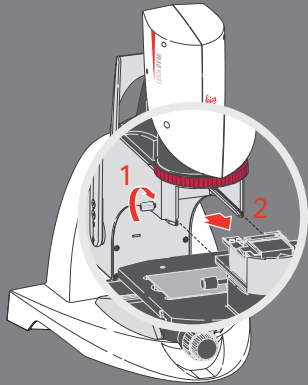
- 4** 4x M3x8 screws
to connect the zoom module with
the interface module



- 5** 4x M5x20 screws
to mount the DVM6 focus
column adapter from underneath
to the standard adapter plate of
the TL5000 Ergo base



- 6** 1x M5x25 screw
to fix the interface module to the
focus column

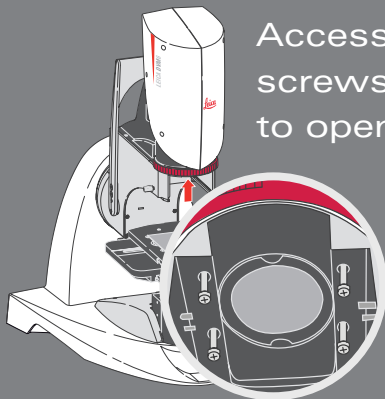
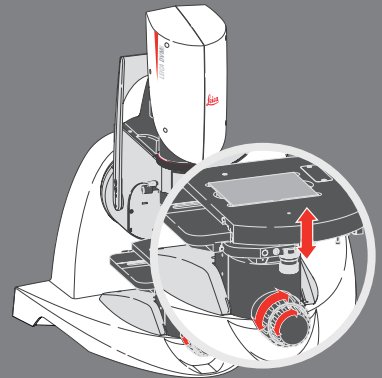


Remove objective

1

2

Put stage in lowest position and turn off the microscope

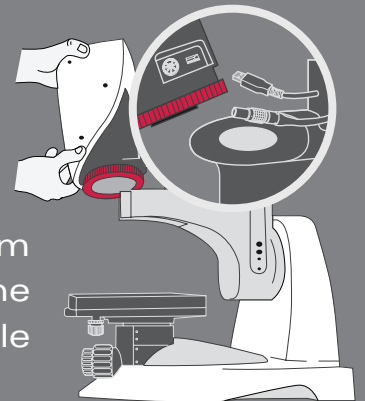


Access the 4 screws from below to open them

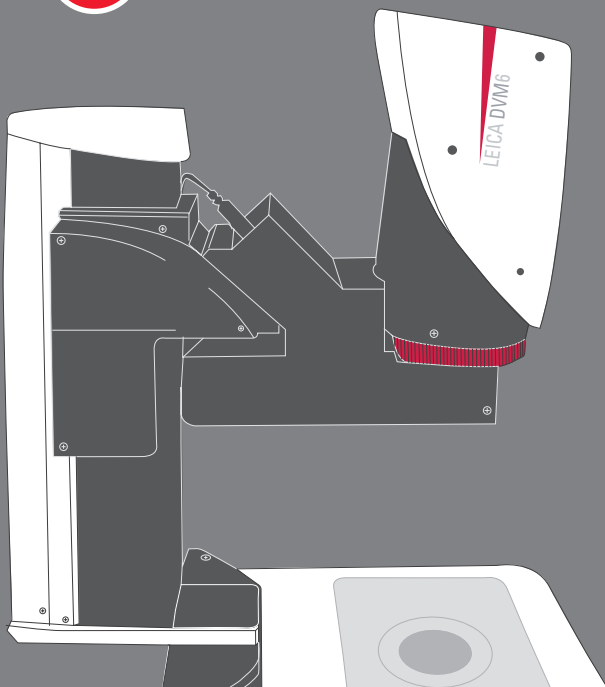
3

4

Slightly pull out the zoom module and unplug the USB and control cable



5



Mount zoom module on interface module repeating the procedure backwards:

- > Plug in the 2 cable connections
- > Make sure the zoom module sits firmly in place and fix the 4 screws
- > Connect the USB 3.0 cable between interface module and PC