





# Contents

## Important Notes

Symbols Used in this User Manual	5
Important Safety Notes	6
Instructions for Use	8
Health Risks and Dangers of Use	10
Information for the Person Responsible for the Instrument	11
Accessories, Maintenance and Repair	12
Electrical Data and Ambient Conditions	13

## Assembling the Leitz Optilux

Unpacking	15
Installing the Monocular Tube	17
Removing and Inserting Objectives	18
Installing the Mirror (optional)	20
Installing the Polarizer Kit (optional)	21

## Using the Leitz Optilux

Switching on the Microscope	23
Selecting an Objective	24
Preparing for Viewing	25
Focusing	26
Adjusting the Eyecups	27
Oil Immersion Technique	28

## Care of the Microscope

Maintenance instructions	31
General Maintenance	32

## Dimensions

Dimensions	35
------------	----

































































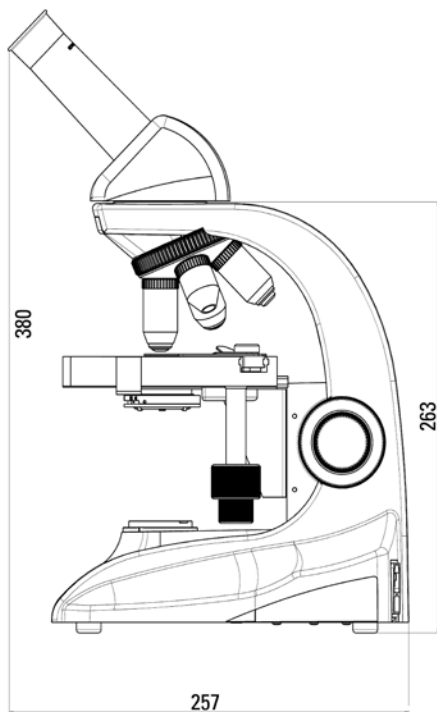




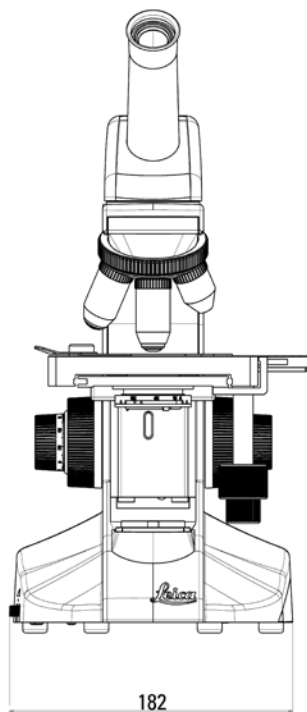


# Dimensions

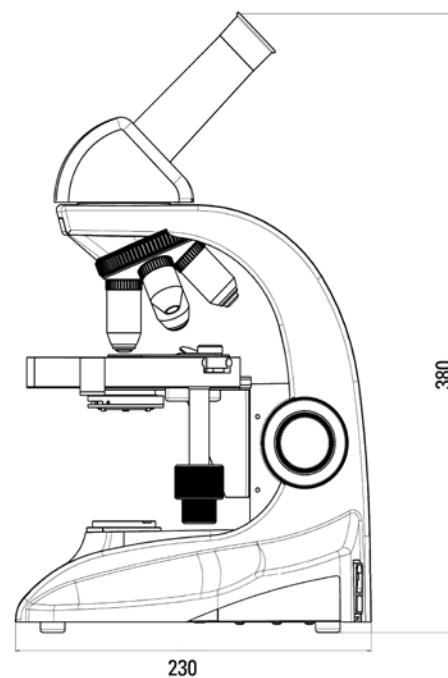
- side view with monocular tube



- front view with monocular tube



- side view with monocular tube 180° rotated for storage



The productive cooperative effort "with the user, for the user" has always been the basis for the innovative strength of Leica Microsystems. On this, we have developed our five corporate values:

pioneering, high-end quality, team spirit, dedication to science, and continuous improvement. We call making these values reality **Living up to Life.**

## INDUSTRY DIVISION

The Leica Microsystems Industry Division's focus is to support customers' pursuit of the highest quality end result by providing the best and most innovative imaging systems for their needs to see, measure, and analyze microstructures. Its solutions are used in routine and research industrial applications, in materials science and quality control, in forensic science investigations, and educational applications.

Leica Microsystems – an international company with an experienced worldwide customer service network.

Internationally active	Phone	Fax
Australia · North Ryde	+61 2 8870 3500	2 9878 1055
Belgium · Diegem	+32 2 790 98 50	2 790 98 68
Denmark · Ballerup	+45 4454 0101	4454 0111
Germany · Wetzlar	+49 64 41 29 40 00	64 41 29 41 55
England · Milton Keynes	+44 800 298 2344	1908 246312
France · Nanterre Cedex	+33 811 000 664	1 56 05 23 23
Italy · Milan	+39 02 574 861	02 574 03392
Japan · Tokyo	+81 3 5421 2800	3 5421 2896
Canada · Concord/Ontario	+1 800 248 0123	847 405 0164
Korea · Seoul	+82 2 514 65 43	2 514 65 48
The Netherlands · Rijswijk	+31 70 4132 100	70 4132 109
Austria · Vienna	+43 1 486 80 50 0	1 486 80 50 30
Portugal · Lisbon	+351 21 388 9112	21 385 4668
Sweden · Kista	+46 8 625 45 45	8 625 45 10
Switzerland · Heerbrugg	+41 71 726 34 34	71 726 34 44
Singapore	+65 6779 7823	6773 0628
Spain · Barcelona	+34 93 494 95 30	93 494 95 32
USA · Buffalo Grove/Illinois	+1 800 248 0123	847 405 0164
People's Republic of China · Hong Kong	+852 2564 6699	2564 4163
· Shanghai	+86 21 6387 6606	21 6387 6698

**13IDE14060EN** · Copyright © by Leica Microsystems (Schweiz) AG, CH-9435 Heerbrugg, 2014. Subject to modifications. LEICA and the Leica Logo are registered trademarks of Leica Microsystems IR GmbH.